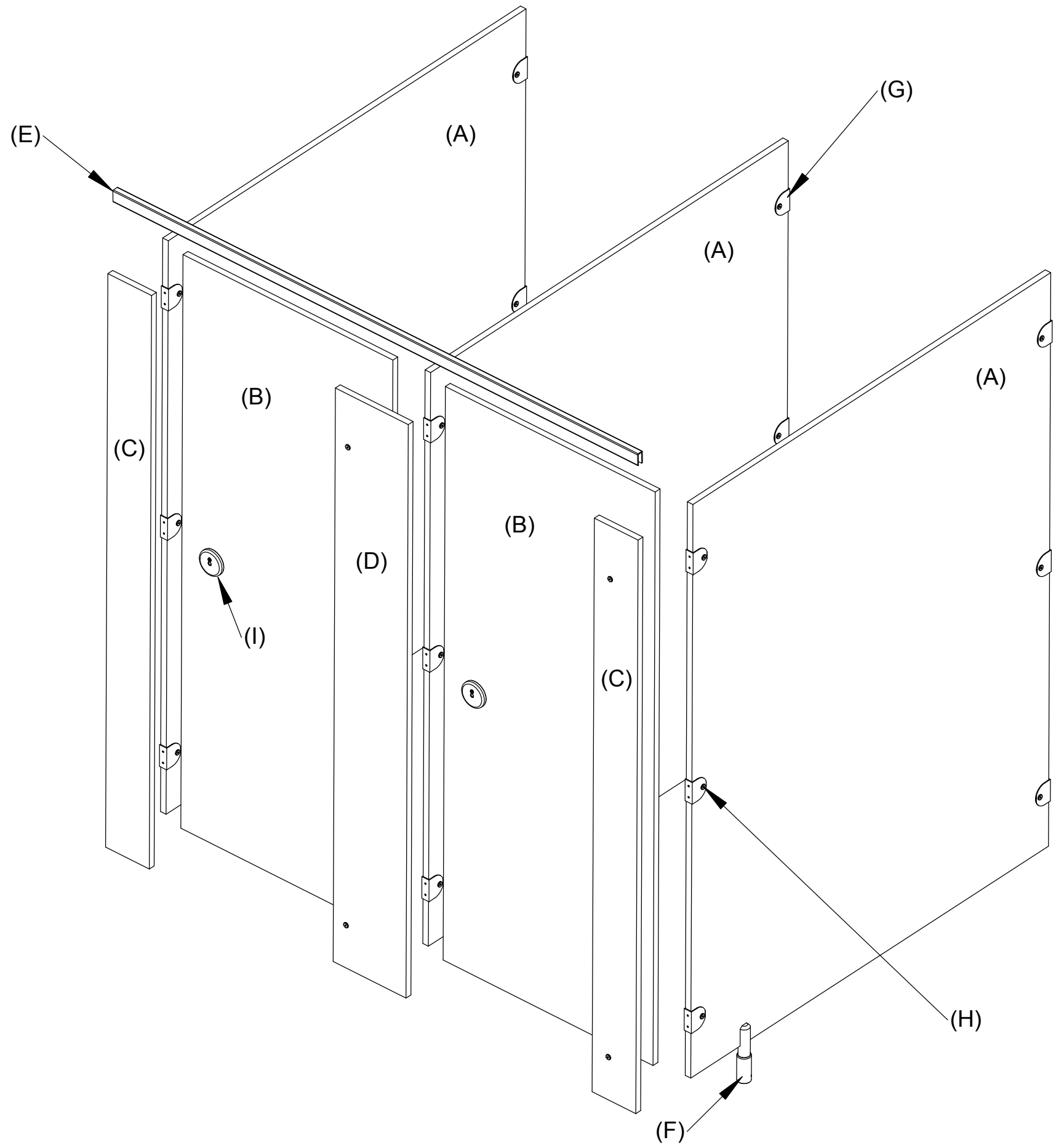




Decrobond CG 'A' Pack Fitting Instructions

For all enquiries please contact DBF Fabrications Ltd. Tel No. 0191 262 4110



PARTS

- A) Partition
- B) Door
- C) End Fascia
- D) Mid Fascia
- E) CG Headrail
- F) Support Legs
- G) Wall Brackets
- H) Fascia Brackets
- I) Indicator Bolt

FIXING INSTRUCTIONS

1. Mark out the cubicle centres on the walls and floor, including wall bracket and foot positions.
2. Fix brackets to the wall using 2"xNo8 screws (Detail 5).
3. Offer the leg to the partition within 250mm from the front edge of the partition, mark through the leg the 10mm diameter holes and drill through, then secure the leg to the partition with the bush bolts supplied. (Detail 7)
4. Offer the partition, 150mm above the finished floor level with the pre-drilled holes at the front. Plum and mark through wall brackets for fixings and mark position of leg on floor.
5. Remove the retaining block from the leg (Detail 7) and offer it to the marked floor position. Drill down through the foot block using a 5.5mm masonry drill to a depth of 50mm (2") into the floor surface. Using the plastic plug and 2" countersunk screw provided, secure the block to the floor.
6. Drill the partition to accept the bush bolts, fix the partition to the brackets using the bush bolts provided and secure the leg to the floor block using the small retaining screw. (Detail 6)
7. Repeat operations 2-5 using first datum point and lining through.
8. Fix hinges into pre-drilled holes in the fascia and secure in the vertical position with the 'T' Nuts and allthreads provided. (Detail 2)
9. Offer-up the Aluminium head rail angle. Mark the screw fixing points (2 Per fascia).
10. Drill & Countersink holes in the head rail and screw to the fascias.
11. Hang the door and adjust the nylon cams to the desired position. Insert the door retaining screws into the hinge pins.
12. Fix the indicator bolt and ensure smooth operation (Detail 1).
13. Fix 2 rubber buffers to the fascia approximately 150mm from the top and bottom, to hit the door.
14. Fix coat hook to the inside of the door (Detail 3).
15. Fix the toilet roll holder to the partition (Detail 4).
16. Clean down panels.